



Watchdog2 Auto-Dialler Connection Guide

Watchdog2 can be connected to most standard auto-diallers enabling faults to be remotely monitored via mobile phone (GSM/SMS messaging) or landline.

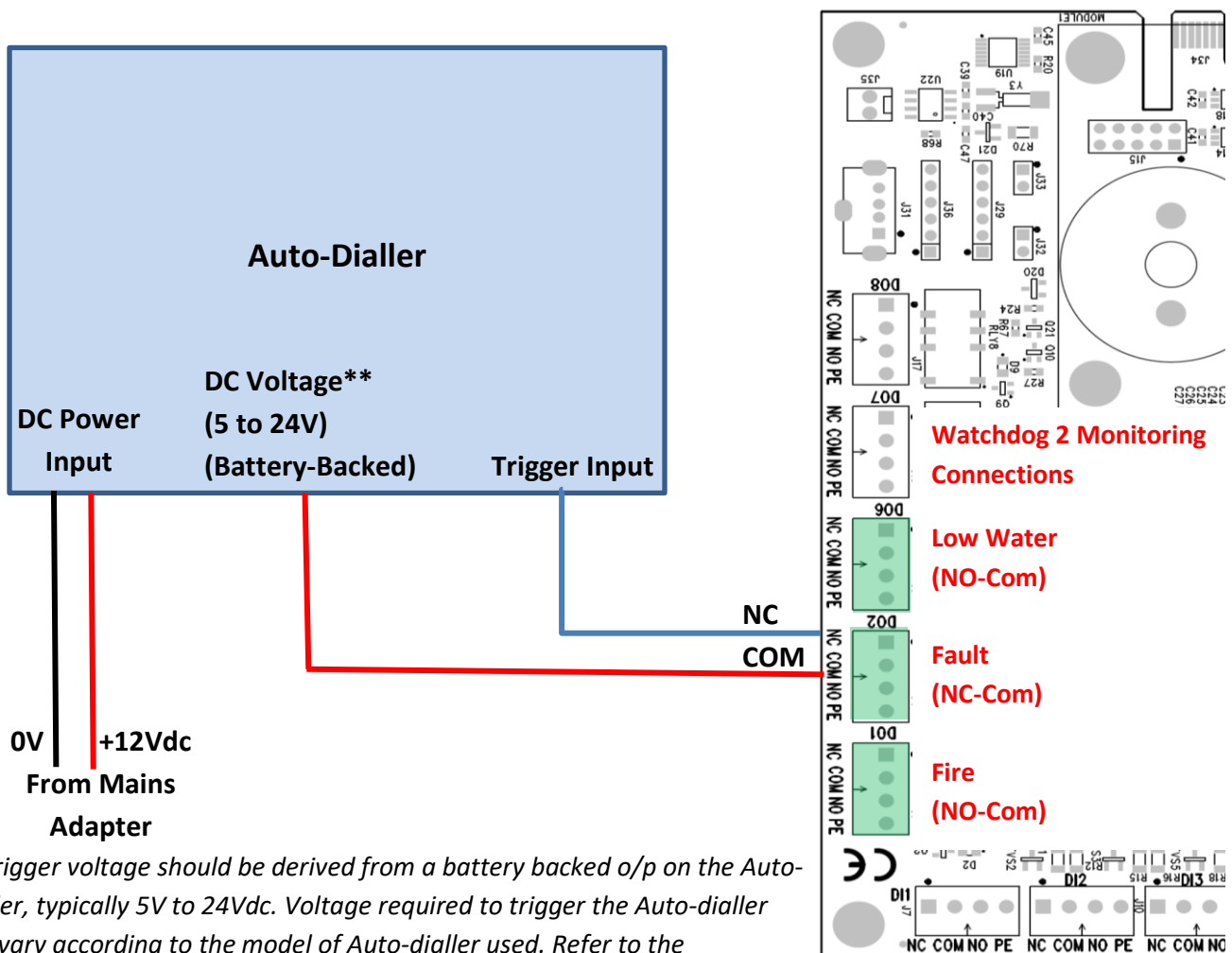
Three monitoring outputs are provided on the WD2 for the purposes of connecting to external systems:

- **Fire** Com-NO contacts close when in Fire-mode (pump running, flow detected).
- **Fault*** Com-NC contacts close when a fault is found or power is lost.
- **Low Water** Com-NO contacts close when low water is detected.

All outputs are volt-free relays with common, normally-open and normally-closed contacts available, allowing the system to work with most external monitoring systems. Some monitoring systems allow multiple inputs to be monitored, generating different alarm messages for each input or combination of inputs.

**Note the fault relay is configured differently and is held in the NO position (COM-NO connected) when there is no fault and switches to the NC position when a fault is detected OR power is lost. All other o/ps use COM-NO contacts.*

The following is the suggested basic connection method for a typical auto-dialler with a positive trigger input:



***Trigger voltage should be derived from a battery backed o/p on the Auto-dialler, typically 5V to 24Vdc. Voltage required to trigger the Auto-dialler will vary according to the model of Auto-dialler used. Refer to the Manufacturer's instructions for full details.*

